

Solenoid **Valve** Connectors



Solenoid Valve Connectors

FINECABLES' valve connectors provide compact and robust connection solution for the secure transmission of voltages and current for pneumatic, hydraulic and electromagnetic actuators. The current range includes versions of A,B and C, with an integrated protective circuit to reduce voltage spikes or an LED function display.

- Design as per DIN EN 175301-803, formerly DIN 43650
- Degree of protection IP65/67
- Version A,B and C are available
- TPU over molded
- Cable length customized, PUR and PVC cable options
- LED indicator is available

Solenoid Valve

Quick Search Table

Contacts	3+PE	2+2PE	2+PE	3P	4P	3+PE	2+2PE	2+PE	3P	4P	2+PE	3+PE	2+2PE	2+PE	3P	4P	2+PE	2+2PE	3+PE
Rated Current	8A / 10A					16A					8A / 10A	16A	6A					6A	
Rated Voltage	24V / 250V					400V					24V / 250V	250V	250V					-	
Rated Impulse Voltage	800V / 4000V					4000V					800V / 4000V	4000V	800V					800V	
Wire Gauge / size	Max. 1.5mm ²					-					Max. 1.5mm ²	-	Max. 0.5mm ²					-	
Pin layout																			

Solenoid Valve Plugs

Molded Cable



Female Molded Cable Type A	434	434	434	434	434	-	-	-	-	-	-	-	-	-	-	-	-	-	-	-
Female Molded Cable Type B	-	-	-	-	-	-	-	-	-	-	-	-	-	-	-	-	-	-	-	-
Female Molded Cable Type C	-	-	-	-	-	-	-	-	-	-	-	-	436	436	436	436	436	-	-	-

Assembly Type

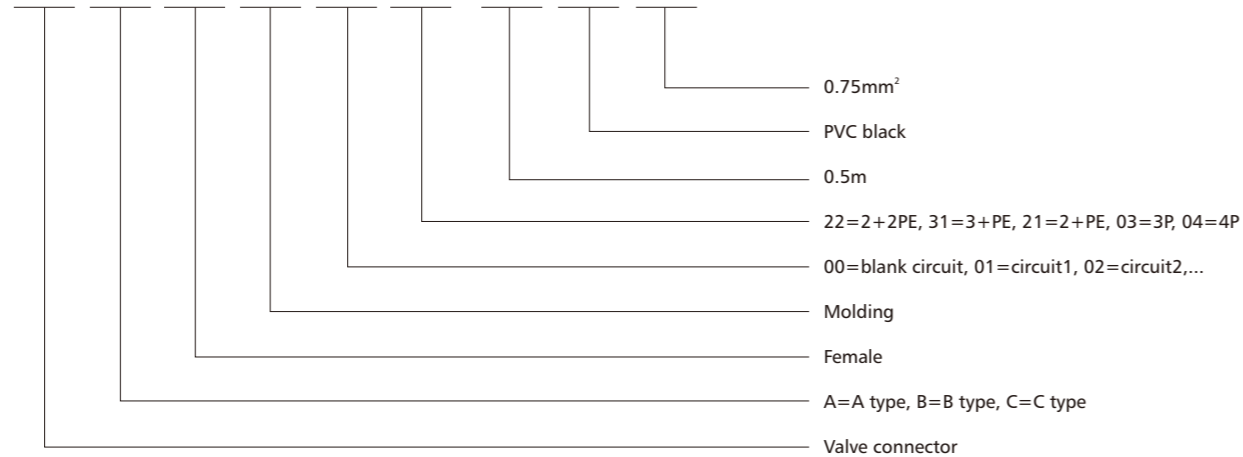


Female Field Wirable Assembly Type A PG9/PG11	437	437	437	437	437	-	-	-	-	-	-	-	-	-	-	-	-	-	-	-
Female Field Wirable Assembly Type A with LED	438	438	438	438	438	-	-	-	-	-	-	-	-	-	-	-	-	-	-	-
Female Field Wirable Assembly Type B	-	-	-	-	-	-	-	-	-	-	-	439	-	-	-	-	-	-	-	-
Female Field Wirable Assembly Type C	-	-	-	-	-	-	-	-	-	-	-	-	440	440	440	440	440	-	-	-
Male Base Conn Type A Circular	-	-	-	-	-	441	441	441	441	441	-	-	-	-	-	-	-	-	-	-
Male Base Conn Type A Circular with Hexagonal Nut	-	-	-	-	-	442	442	442	442	442	-	-	-	-	-	-	-	-	-	-
Male Base Conn Type A Rectangular	-	-	-	-	-	443	443	443	443	443	-	-	-	-	-	-	-	-	-	-
Male Base Conn Type B Rectangular	-	-	-	-	-	-	-	-	-	-	444	-	-	-	-	-	-	-	-	-
Male Base Conn Type C Rectangular	-	-	-	-	-	-	-	-	-	-	-	-	-	-	-	-	-	445	445	445

How to Order Part Number

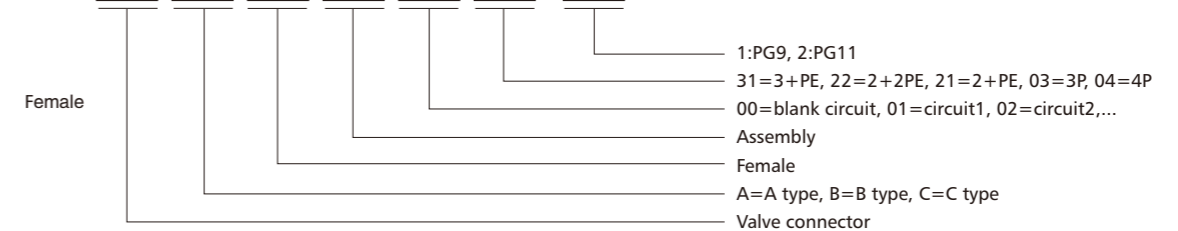
Valve / Solenoid Connectors With Cable Molded

VC A F M 00 22 - 05 CB 75

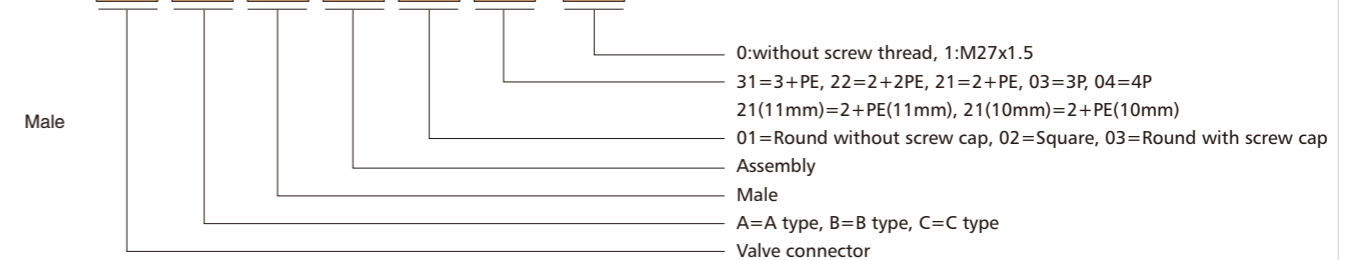


Valve / Solenoid Connectors With Assembly

VC A F A 00 31 - 1



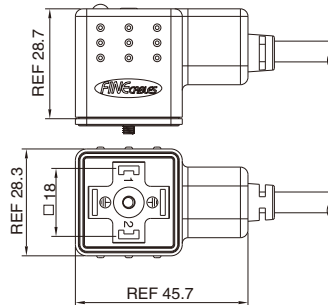
VC A M A 01 31 - 0



Valve Plug, Female, Molded Cable, Type A

- Connector series: Valve plug
- Gender: Female
- Construction type: A
- Locking system: Central screw
- Part No.: VCAFMXX**·XXXXXX

** refers to pins number
X refers to cable specification



General information

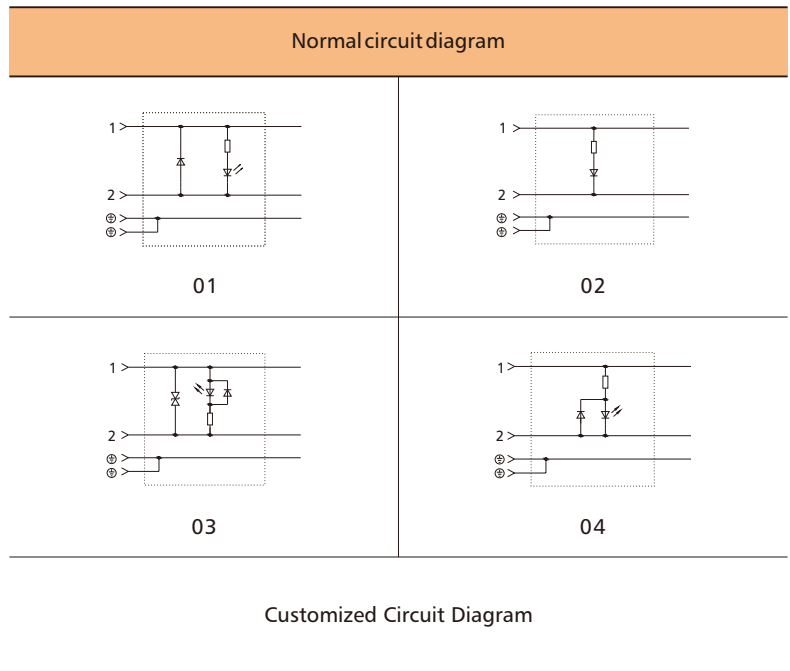
Standard:	DIN EN 175 301-803-A
Ambient temperature:	-40°C ~ +80°C (fixed installation) -20°C ~ +80°C (flexible installation)
Termination:	Soldering
Pin dimensions:	6.3x0.8mm, 4.8x0.8mm
Connector overmold:	TPU
Contact bearer material:	PA+GF
Housing material:	PC
Contact:	PS with silver plated
Screw:	Steel with Zn plated
Seal:	FKM
Gasket:	TPU/NBR

Rated voltage:	24V/250V
Rated impulse voltage:	800V/4000V
Rated current:	8A/10A
Insulation resistance:	≥100MΩ
Contact resistance:	≤4mΩ
IP rating:	IP 67 in locked condition
Cable type:	PVC or PUR cable
Conductor size:	max. 1.5mm ²

Electrical data & Mechanical data

Contacts		Part No.
3+PE		VCAFMXX31-XXXXXX
2+2PE		VCAFMXX22-XXXXXX
2+PE		VCAFMXX21-XXXXXX
3P		VCAFMXX03-XXXXXX
4P		VCAFMXX04-XXXXXX

Note: X refers to cable specification



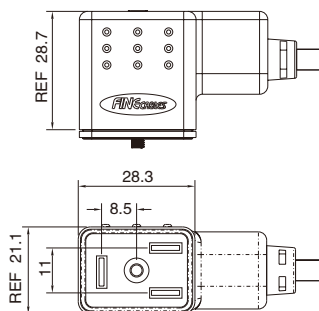
Remarks

- Please refer to Page 578 for the Conversion between American Wire Gauge AWG and Wire Cross-section mm².
- Please refer to Page 432 for products' part number encoding rule.

Valve Plug, Female, Molded Cable, Type B

- Connector series: Valve plug
- Gender: Female
- Construction type: B
- Locking system: Central screw
- Part No.: VCBFMXX**-XXXXXX

** refers to pins number
X refers to cable specification



General information

Standard:	Industrial standard
Ambient temperature:	-40°C ~ +80°C(fixed installation) -20°C ~ +80°C(flexible installation)
Termination:	Soldering
Pin dimensions:	6.3x0.8mm, 4.8x0.8mm
Connector overmold:	TPU
Contact bearer material:	PA+GF
Housing material:	PC
Contact:	PS with silver plated
Screw:	Steel with Zn plated
Seal:	FKM
Gasket:	TPU/NBR

Rated voltage:	24V/250V
Rated impulse voltage:	800V/4000V
Rated current:	8A/10A
Insulation resistance:	≥100MΩ
Contact resistance:	≤4mΩ
IP rating:	IP 67 in locked condition
Cable type:	PVC or PUR cable
Conductor size:	max.1.5mm ²

Electrical data & Mechanical data

Contacts	Part No.
2+PE 	VCBFMXX21-XXXXXX

Note: X refers to cable specification

Normal circuit diagram	

Customized Circuit Diagram	

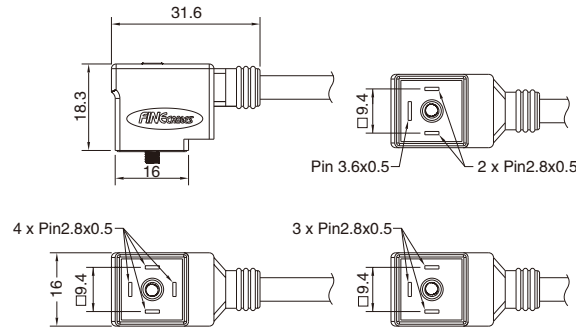
Remarks

- Please refer to Page 578 for the Conversion between American Wire Gauge AWG and Wire Cross-section mm².
- Please refer to Page 432 for products' part number encoding rule.

Valve Plug, Female, Molded Cable, Type C

- Connector series: Valve plug
- Gender: Female
- Construction type: C
- Locking system: Central screw
- Part No.: VCCFMXX**-XXXXXX

** refers to pins number
X refers to cable specification



General information

Standard:	Industrial standard
Ambient temperature:	-40°C ~ +80°C (fixed installation) -20°C ~ +80°C (flexible installation)
Termination:	Soldering
Pin dimensions:	2.8x0.5mm, 3.6x0.5mm
Connector overmold:	TPU
Contact bearer material:	PA+GF
Contact:	PS with silver plated
Screw:	Steel with Zn plated
Seal	FKM

Rated voltage:	250V
Rated impulse voltage:	800V
Rated current:	6A
Insulation resistance:	≥ 100MΩ
Contact resistance:	≤ 4mΩ
IP rating:	IP 67 in locked condition
Cable type:	PVC or PUR cable
Conductor size:	max. 0.5mm ²

Electrical data & Mechanical data

Contacts	Part No.
3+PE	VCCFMXX31-XXXXXX
2+2PE	VCCFMXX22-XXXXXX
2+PE	VCCFMXX21-XXXXXX
3P	VCCFMXX03-XXXXXX
4P	VCCFMXX04-XXXXXX

Note: X refers to cable specification

Normal circuit diagram	
.....	00
.....	...
.....	...
.....	...
Customized Circuit Diagram	

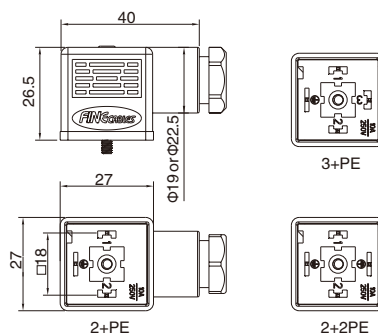
Remarks

- Please refer to Page 578 for the Conversion between American Wire Gauge AWG and Wire Cross-section mm².
- Please refer to Page 432 for products' part number encoding rule.

Valve Plug, Female, Field Wirable Assembly, Type A, PG9 / PG11

- Connector series: Valve plug
- Gender: Female
- Construction type: A
- Locking system: Central screw
- Part No.: VCAFAXX**

** refers to pins number



General information

Standard:	DIN EN 175 301-803-A
Ambient temperature:	-30°C ~ +125°C
Termination:	Screw
Pin dimensions:	6.3x0.8mm, 4.8x0.8mm
Housing color:	Black
Contact bearer material:	PA+GF
Housing material:	PA
Contact:	PS with silver plated
Screw:	Steel with Zn plated
Seal:	FKM/NBR
Gasket:	NBR

Rated voltage:	250V
Rated impulse voltage:	4000V
Rated current:	10A
Insulation resistance:	≥ 100MΩ
Contact resistance:	≤ 4mΩ
IP rating:	IP 65 in locked condition
Cable gland:	PG9 / PG11
Suitable cables(Dia.):	4.5~7.0mm/6.0~9.0mm
Conductor size:	max.0.5mm ²

Electrical data & Mechanical data

Contacts	Part No.
3+PE	VCAFAXX31
2+2PE	VCAFAXX22
2+PE	VCAFAXX21
3P	VCAFAXX03
4P	VCAFAXX04

Normal circuit diagram	
.....	00
.....	...
.....	...
.....	...
Customized Circuit Diagram	

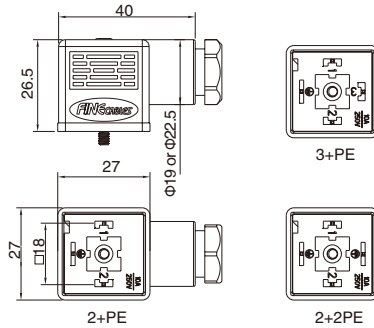
Remarks

- Please refer to Page 578 for the Conversion between American Wire Gauge AWG and Wire Cross-section mm².
- Please refer to Page 433 for products' part number encoding rule.

Valve Plug, Female, Field Wirable Assembly, Type A with LED

- Connector series: Valve plug
- Gender: Female
- Construction type: A
- Locking system: Central screw
- Part No.: VCAFAXX**-LED

** refers to pins number



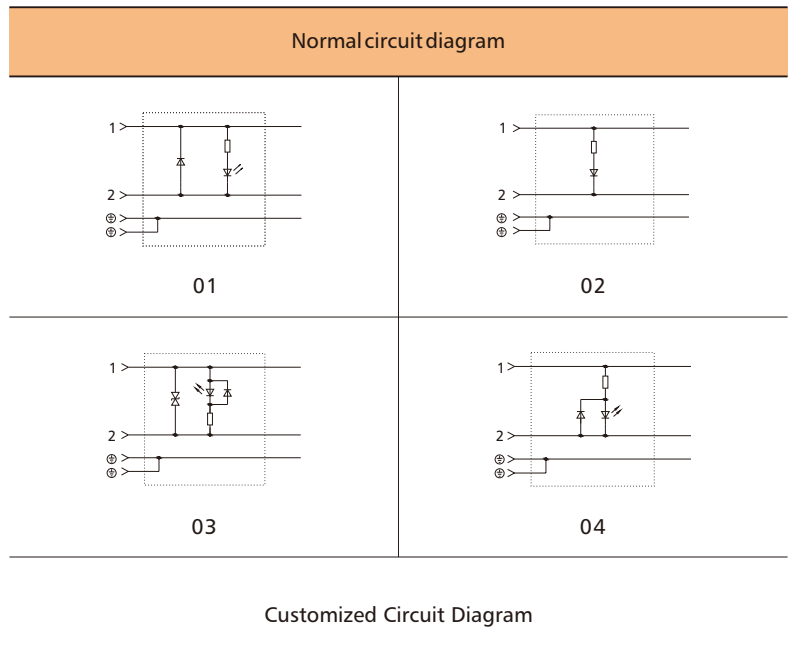
General information

Standard:	DIN EN 175 301-803-A
Ambient temperature:	-25°C ~ +90°C
Termination:	Screw
Pin dimensions:	6.3x0.8mm, 4.8x0.8mm
Housing color:	Transparent
Contact bearer material:	PA+GF
Housing material:	PC
Contact:	PS with silver plated
Screw:	Steel with Zn plated
Seal:	FKM/NBR
Gasket:	NBR

Rated voltage:	24V
Rated impulse voltage:	800V
Rated current:	8A
Insulation resistance:	≥ 100MΩ
Contact resistance:	≤ 4mΩ
IP rating:	IP 65 in locked condition
Cable gland:	PG9 / PG11
Suitable cables(Dia.):	4.5~7.0mm/6.0~9.0mm
Conductor size:	max.1.5mm ²

Electrical data & Mechanical data

Contacts	Part No.
3+PE	VCAFAXX31-LED
2+2PE	VCAFAXX22-LED
2+PE	VCAFAXX21-LED
3P	VCAFAXX03-LED
4P	VCAFAXX04-LED



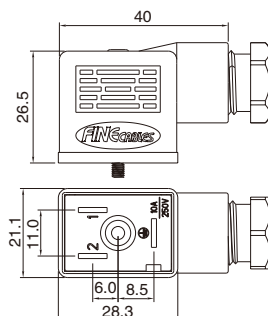
Remarks

- Please refer to Page 578 for the Conversion between American Wire Gauge AWG and Wire Cross-section mm².
- Please refer to Page 433 for products' part number encoding rule.

Valve Plug, Female, Field Wirable Assembly, Type B

- Connector series: Valve plug
- Gender: Female
- Construction type: B
- Locking system: Central screw
- Part No.: VCBFAXX**

** refers to pins number



General information

Standard:	Industrial standard
Ambient temperature:	-30 °C~ + 125 °C
Termination:	Screw
Pin dimensions:	6.3x0.8mm,4.8x0.8mm
Housing color:	Black
Contact bearer material:	PA+GF
Housing material:	PA+GF
Contact:	PS with silver plated
Screw:	Steel with Zn plated
Seal:	FKM/NBR
Gasket:	NBR

Rated voltage:	250V
Rated impulse voltage:	4000V
Rated current:	10A
Insulation resistance:	≥100MΩ
Contact resistance:	≤4mΩ
IP rating:	IP 65 in locked condition
Cable gland:	PG9
Suitable cables(Dia.):	4.5~7.0mm
Conductor size:	max.1.5mm ²

Electrical data & Mechanical data

Contacts	Part No.
2+PE	VCBFAXX21

Normal circuit diagram	
.....	00

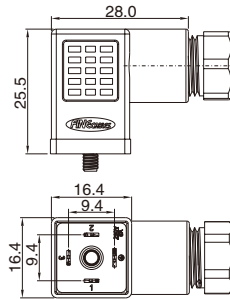
Remarks

- Please refer to Page 578 for the Conversion between American Wire Gauge AWG and Wire Cross-section mm².
- Please refer to Page 433 for products' part number encoding rule.

Valve Plug, Female, Field Wirable Assembly, Type C

- Connector series: Valve plug
- Gender: Female
- Construction type: C
- Locking system: Central screw
- Part No.: VCCFAXX**

** refers to pins number



General information

Standard:	Industrial standard
Ambient temperature:	-30 °C~ + 125 °C
Termination:	Screw
Pin dimensions:	4.6x0.5mm, 3.8x0.5mm
Housing color:	Black
Contact bearer material:	PA+GF
Housing material:	PA+GF
Contact:	PS with silver plated
Screw:	Steel with Zn plated
Seal:	FKM/NBR
Gasket:	NBR

Rated voltage:	250V
Rated impulse voltage:	800V
Rated current:	6A
Insulation resistance:	≥ 100MΩ
Contact resistance:	≤ 4mΩ
IP rating:	IP 65 in locked condition
Cable gland:	PG7
Suitable cables(Dia.):	4.0~6.0mm
Conductor size:	0.5mm ²

Electrical data & Mechanical data

Contacts		Part No.	Normal circuit diagram	
3+PE		VCCFAXX31	00

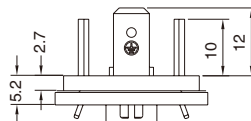
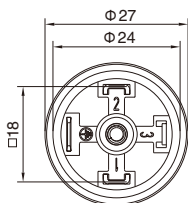
Remarks

- Please refer to Page 578 for the Conversion between American Wire Gauge AWG and Wire Cross-section mm².
- Please refer to Page 433 for products' part number encoding rule.

Valve Plug, Male Base Conn., Type A, Circular

- Connector series: Valve plug
- Gender: Male
- Construction type: A
- Locking system: Central screw
- Part No.: VCAMA01**-0

** refers to pins number



■ General information



Standard:	DIN EN 175 301-803-A
Ambient temperature:	-30°C ~ +125°C
Termination:	Soldering
Pin dimensions:	6.3x0.8mm, 4.8x0.8mm
Housing color:	Black
Housing material:	PA
Contact:	Brass with tin plated or nickel plated
Central nut:	Brass with nickel plated
Gasket:	NBR

Rated voltage:	250V
Rated impulse voltage:	4000V
Rated current:	16A
Insulation resistance:	≥ 100MΩ
Contact resistance:	≤ 4mΩ
IP rating:	IP 65 in locked condition

■ Electrical data & Mechanical data

Contacts		Part No.	Normal circuit diagram	
3+PE		VCAMA0131-0	00
2+2PE		VCAMA0122-0
2+PE		VCAMA0121-0
3P		VCAMA0103-0
4P		VCAMA0104-0	Customized Circuit Diagram	

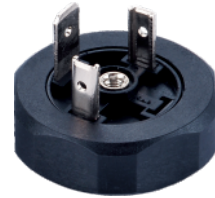
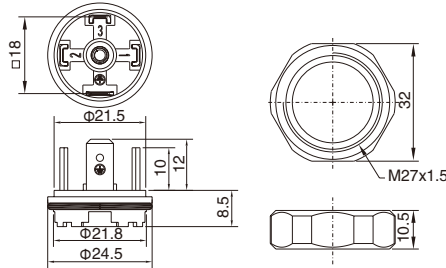
■ Remarks

- Please refer to Page 433 for products' part number encoding rule.

Valve Plug, Male Base Conn., Type A, Circular, with Hexagonal Nut

- Connector series: Valve plug
- Gender: Male
- Construction type: A
- Locking system: Central nut
- Part No.: VCAMA03***-1

** refers to pins number



General information

Standard:	DIN EN 175 301-803-A
Ambient temperature:	-30°C ~ +125°C
Termination:	Soldering
Pin dimensions:	6.3x0.8mm, 4.8x0.8mm
Housing color:	Black
Housing material:	PA+GF
Contact:	Brass with tin plated or nickel plated
Central nut:	Brass with nickel plated

Rated voltage:	400V
Rated impulse voltage:	4000V
Rated current:	16A
Insulation resistance:	≥ 100MΩ
Contact resistance:	≤ 4mΩ
IP rating:	IP 65 in locked condition

Electrical data & Mechanical data

Contacts		Part No.	Normal circuit diagram	
3+PE		VCAMA0331-1	00
2+2PE		VCAMA0322-1
2+PE		VCAMA0321-1
3P		VCAMA0303-1
4P		VCAMA0304-1	Customized Circuit Diagram	

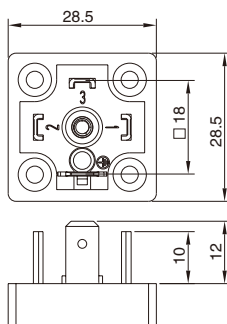
Remarks

- Please refer to Page 433 for products' part number encoding rule.

Valve Plug, Male Base Conn., Type A, Rectangular

- Connector series: Valve plug
- Gender: Male
- Construction type: A
- Locking system: Central nut
- Part No.: VCAMA02***-0

** refers to pins number



■ General information

Standard:	DIN EN 175 301-803-A
Ambient temperature:	-30°C ~ +125°C
Termination:	Soldering
Pin dimensions:	6.3x0.8mm, 4.8x0.8mm
Housing color:	Black
Housing material:	PA+GF
Contact:	Brass with tin plated or nickel plated
Central nut:	Brass with nickel plated

Rated voltage:	400V
Rated impulse voltage:	4000V
Rated current:	16A
Insulation resistance:	≥ 100MΩ
Contact resistance:	≤ 4mΩ
IP rating:	IP 65 in locked condition

■ Electrical data & Mechanical data

Contacts	Part No.
3+PE	VCAMA0231-0
2+2PE	VCAMA0222-0
2+PE	VCAMA0221-0
3P	VCAMA0203-0
4P	VCAMA0204-0

Normal circuit diagram	
.....	00
.....	...
.....	...
.....	...
Customized Circuit Diagram	

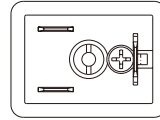
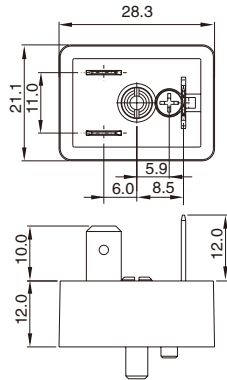
■ Remarks

- Please refer to Page 433 for products' part number encoding rule.

Valve Plug, Male Base Conn., Type B, Rectangular

- Connector series: Valve plug
- Gender: Male
- Construction type: B
- Locking system: Central nut
- Part No.: VCBMA02**-0

** refers to pins number



General information

Standard:	Industrial standard
Ambient temperature:	-30 °C~ + 125 °C
Termination:	Soldering
Pin dimensions:	6.3x0.8mm
Housing color:	Black
Housing material:	PA+GF
Contact:	Brass with tin plated or nickel plated
Central nut:	Brass with nickel plated

Rated voltage:	AC/DC 250V
Rated impulse voltage:	4000V
Rated current:	16A
Insulation resistance:	≥100MΩ
Contact resistance:	≤4mΩ
IP rating:	IP 65 in locked condition

Electrical data & Mechanical data

Contacts		Part No.	Normal circuit diagram	
2+PE		VCBMA0221-0	00

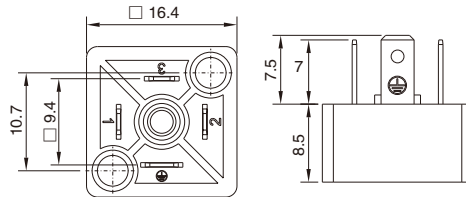
Remarks

- Please refer to Page 433 for products' part number encoding rule.

Valve Plug, Male Base Conn., Type C, Rectangular

- Connector series: Valve plug
- Gender: Male
- Construction type: C
- Locking system: Central nut
- Part No.: VCCMAXX**

** refers to pins number






■ General information



Standard:	Industrial standard
Ambient temperature:	-30°C ~ +125°C
Termination:	Soldering
Pin dimensions:	4.6x0.5mm, 3.8x0.5mm
Housing color:	Black
Housing material:	PA+GF
Contact:	Brass with tin plated or nickel plated
Central nut:	Brass with nickel plated

Rated voltage:	AC/DC 250V
Rated impulse voltage:	800V
Rated current:	6A
Insulation resistance:	≥ 100MΩ
Contact resistance:	≤ 4mΩ
IP rating:	IP 65 in locked condition

■ Electrical data & Mechanical data

Contacts	Part No.
2+PE 	VCCMAXX21-0
2+2PE 	VCCMAXX22-0
3+PE 	VCCMAXX31-0

Normal circuit diagram	
.....	00
.....	...
Customized Circuit Diagram	

■ Remarks

- Please refer to Page 433 for products' part number encoding rule.